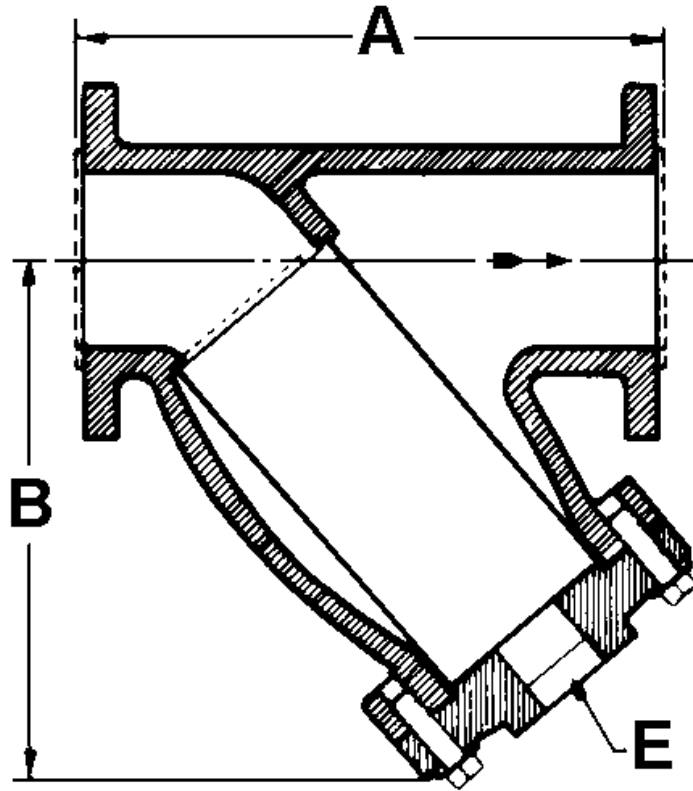


SPECIFICATION PRINT

Y-Type Cast Iron Flanged Strainer



Size	A	B	E
2-1/2"	9-7/8"	8-3/8"	1-1/4"
3"	10-1/4"	7-3/8"	1"

SPECIFICATIONS:

- ASTM A 26, class B body
 - Stainless steel screen
- Working pressure
- FF&D Steam 125 PSI—450°F
 - Water, Oil and Gas 200 PSI—150°F



Penn Separator Corp.

PO Box 340, Brookville, PA 15825

Cast Iron Flanged Strainer

MJG 8/25/08

A 26195-1