

SPECIFICATION PRINT— Bronze Angle & Globe Type Flow Control Valve

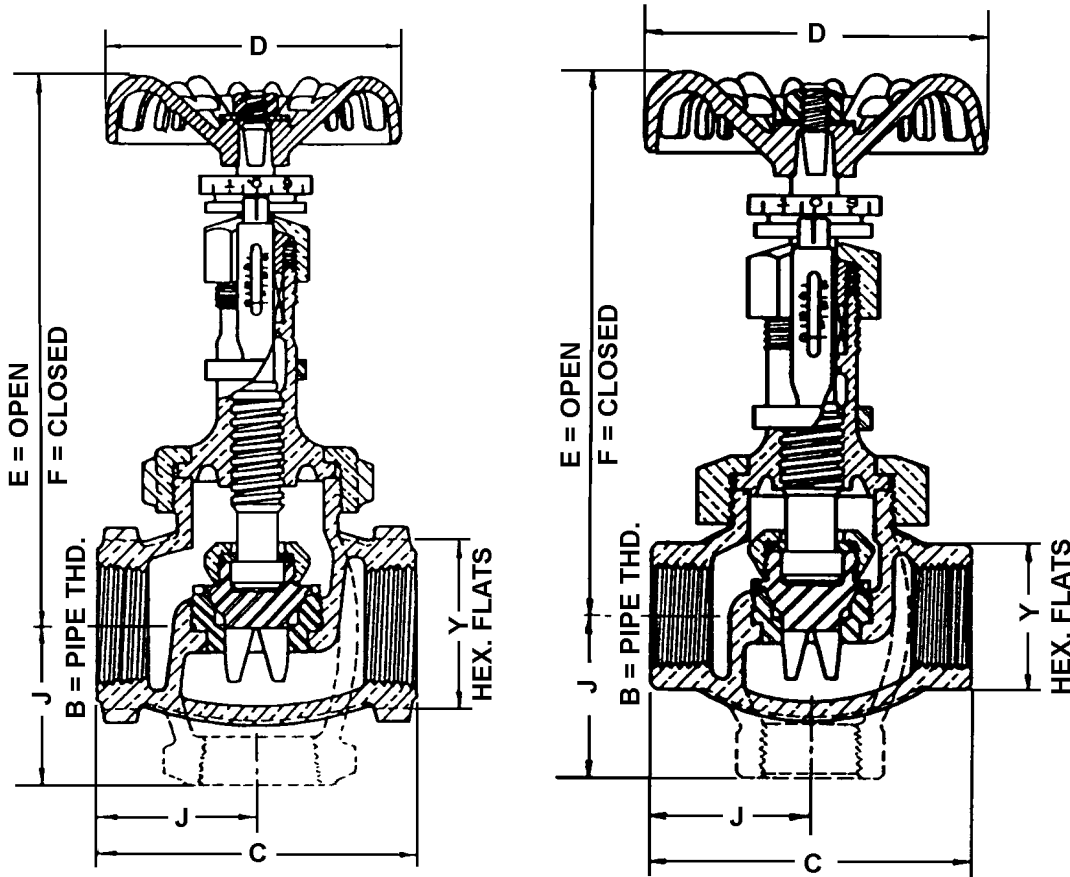


Figure 4445 & 4455

Figure 4585 & 4595

Figure 4445 & 4455

Size	B	C	D	E	F	J	Y	Wt. lb
1/2"	1/2"	2-5/8"	2-1/2"	4-11/16"	4-3/8"	1-5/16"	1-1/4"	1-1/2
3/4"	3/4"	3"	2-13/16"	5-7/16"	5-1/16"	1-1/2"	1-7/16"	2-1/8
1"	1"	3-3/4"	3"	6-1/4"	5-7/8"	1-7/8"	1-3/4"	3-1/2
1-1/4"	1-1/4"	4-3/8"	3-7/16"	7-5/32"	6-19/32"	2-3/16"	2-1/8"	5-1/2

Figure 4585 & 4595

Size	B	C	D	E	F	J	Y	Wt. lb
1/2"	1/2"	2-7/8"	3"	5-9/16"	5-1/4"	1-7/16"	1-1/4"	2-1/2
3/4"	3/4"	3-9/16"	3-7/16"	6-19/32"	6-5/32"	1-25/32"	1-17/32"	3-3/4
1"	1"	4-1/8"	4-3/8"	8-27/32"	8-11/32"	2-1/16"	1-7/8"	6
1-1/4"	1-1/4"	4-7/8"	4-7/8"	8-11/16"	8-1/16"	2-7/16"	2-5/16"	9-1/8

SPECIFICATIONS

- Figure 4445 & 4455 rated at 150 psi @ 358° F WSP and 300 psi @ 100°F WOG
- Figure 4585 & 4595 rated at 300 psi @ 550° F WSP and 600 psi @ 100° F WOG
- Stainless steel 13% chrome 500 Brinell disc and seat
- Micrometer dial and pointer allows valve to open to 1/100th of a turn of the hand-wheel
- Separate shut-off seating surface
- Angle type inlet shown with dotted lines at bottom of valve



PO Box 340, Brookville, PA 15825

Bronze Angle & Globe Type Flow Control Valve

MJG 10/14/08

A 26200-1