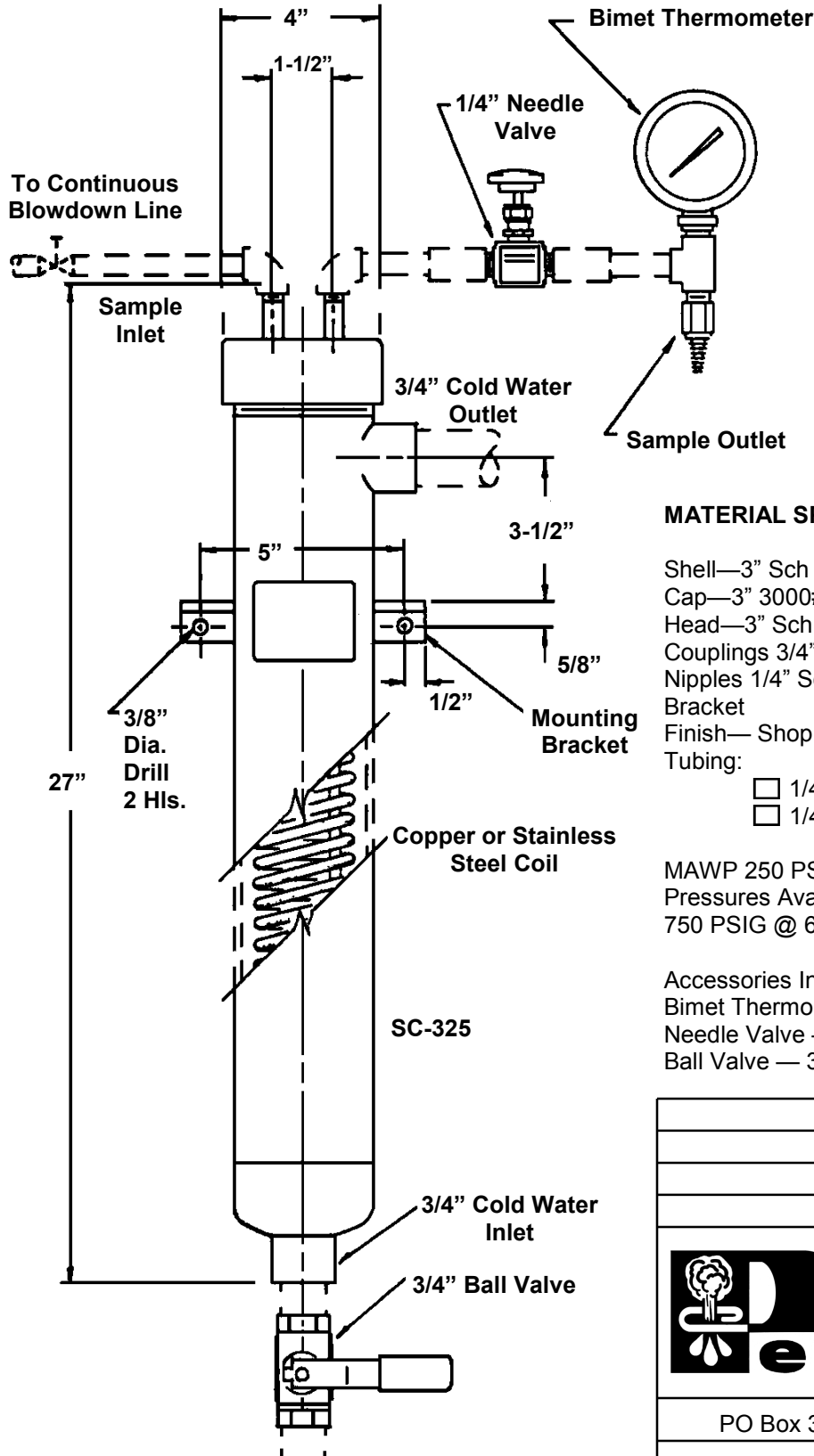


# SPECIFICATION PRINT

## SC-325 Sample Cooler w/Accessories



### MATERIAL SPECIFICATIONS

Shell—3" Sch 40 T.O.E. SA 53-B  
 Cap—3" 3000# NPT SA 105  
 Head—3" Sch 40 W.C. SA 234-WP  
 Couplings 3/4" 3000# SA 105  
 Nipples 1/4" Sch 80 SA 106-B  
 Bracket SA 36  
 Finish— Shop Primer  
 Tubing:  
 1/4" Stainless Steel 304  
 1/4" Copper Ref.

MAWP 250 PSIG @ 400°F  
 Pressures Available to  
 750 PSIG @ 600°F

Accessories Include:  
 Bimet Thermometer — 50 to 300°F  
 Needle Valve — 1/4" Bronze  
 Ball Valve — 3/4" Bronze



**Penn** Separator Corp.

PO Box 340, Brookville, PA 15825

**SC-325 Sample Cooler**

Rev. 3 MJG 11-12-08

A 25134-3