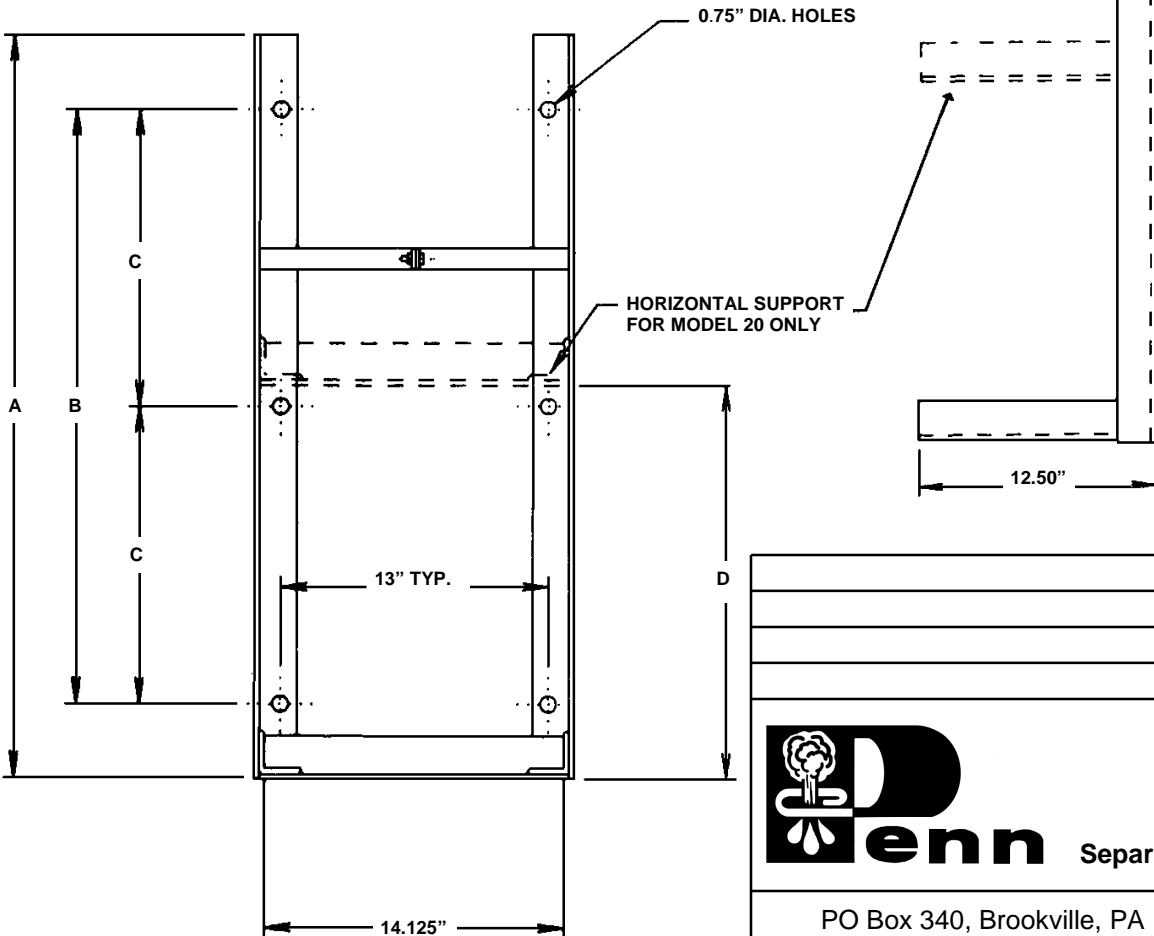
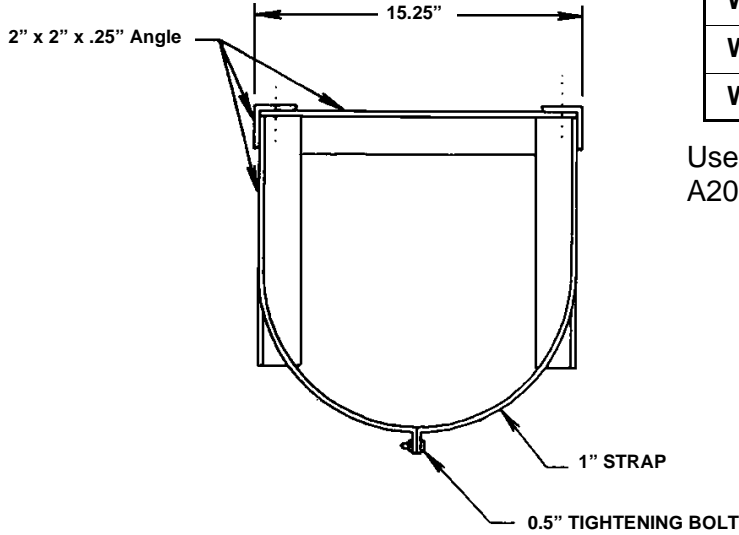


SPECIFICATION PRINT

Wall Brackets 14" Diameter Separators

MODEL	A	B	C	D
WB20	20"	14"	-	13"
WB34	20"	14"	-	-
WB56	35"	28"	14"	-

Use Bracket WB20 with Blowdown Separator A20B. WB34 with A34B, and WB56 on A56B.



Penn Separator Corp.

PO Box 340, Brookville, PA 15825

Wall Brackets 14" Diameter Separators

MJG 10/30/08 Rev. 3 A 26064-2