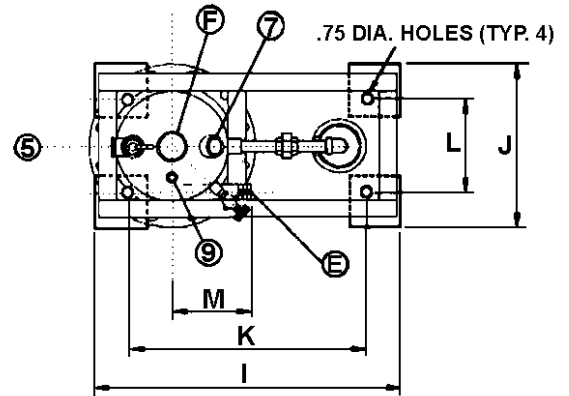
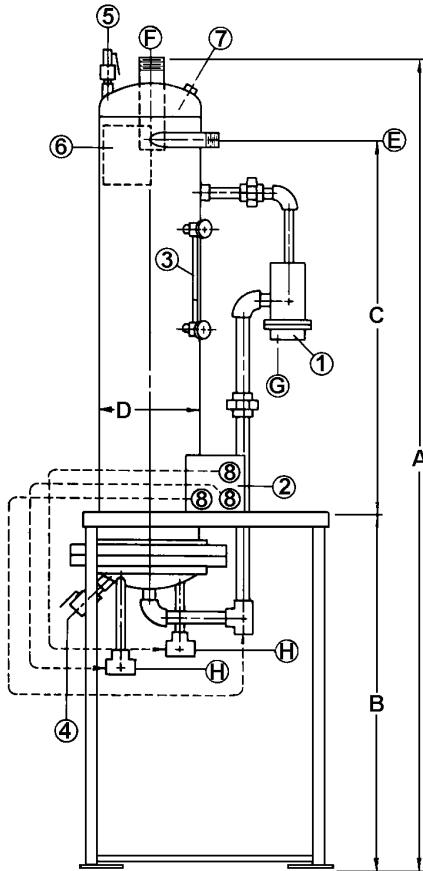


SPECIFICATION PRINT

AHR 3, 6, 10, 20 and 30 Flash Economizer Models

MODEL	A	B	C	D	E	F	G	H	I	J	K	L	M
AHR 3	96.00	44.00	42.00	8.63	1 NPT	2-1/2 NPT	1 NPT	3/4 NPT	35.13	13.63	28.00	6.50	9.00
AHR 6	110.00	49.00	50.00	10.75	1-1/2 NPT	3 NPT	1 NPT	3/4 NPT	36.25	18.25	27.00	9.00	9.00
AHR 10	93.75	45.00	37.25	16.00	1-1/2 NPT	4 NPT	2 NPT	1-1/4 NPT	41.50	23.50	32.25	14.25	9.00
AHR 20	140.00	68.00	60.00	18.00	1-1/2 NPT	6 NPT	2 NPT	1-1/2 NPT	45.00	25.00	35.75	15.75	9.00
AHR 30	172.00	77.00	84.00	18.00	1-1/2 NPT	*6 NPT	2 NPT	1-1/2 NPT	45.00	25.00	35.75	15.75	9.00

DIMENSIONS ARE IN INCHES



Material Specifications:

Heads	SA234WPB, SA516-70
Shell	SA53-B
Couplings	SA105
Pipe	SA53-B, SA106-B
Flanges	SA105- 150#
Wear Plate	SA240-304
Coil	Copper or Stainless Steel 304
Finish	Light Blue Enamel

Nozzels:

- E. Continuous Blowdown Inlet
- F. Steam Vent* - "See Note"
- G. Condensate Drain
- H. Cold Water Inlet and Outlet

Notes:

Designed, constructed and stamped in accordance with ASME Code Sec. VIII, Div. 1 for MAWP of 150 psig. Hydrotested at 195 psig. Safety valve is set at 150 psig.

Flash Economizer comes with a copper or stainless steel coil heat exchanger complete as shown with float control (1), gauge panel (2), level gauge (3), clean out valve (4), safety valve (5), s.s. wear plate (6), inspection port (7), and indicating thermometers (8) which monitor drain, make-up in, and make-up out water temperature, pressure gauge connection 1/4" (9).

Optional accessories can include a high level alarm, pressure gauge, or Multi-Boiler Inlet Manifold.

* An 8" (beveled type) vent is required on Model AHR-30 when used on boilers operating above 250 psig. When ordering please specify boiler operating pressure.



Penn Separator Corp.

PO Box 340, Brookville, PA 15825

AHR 3 thru AHR 30 Flash Economizer

SAM 702

A 65082-3