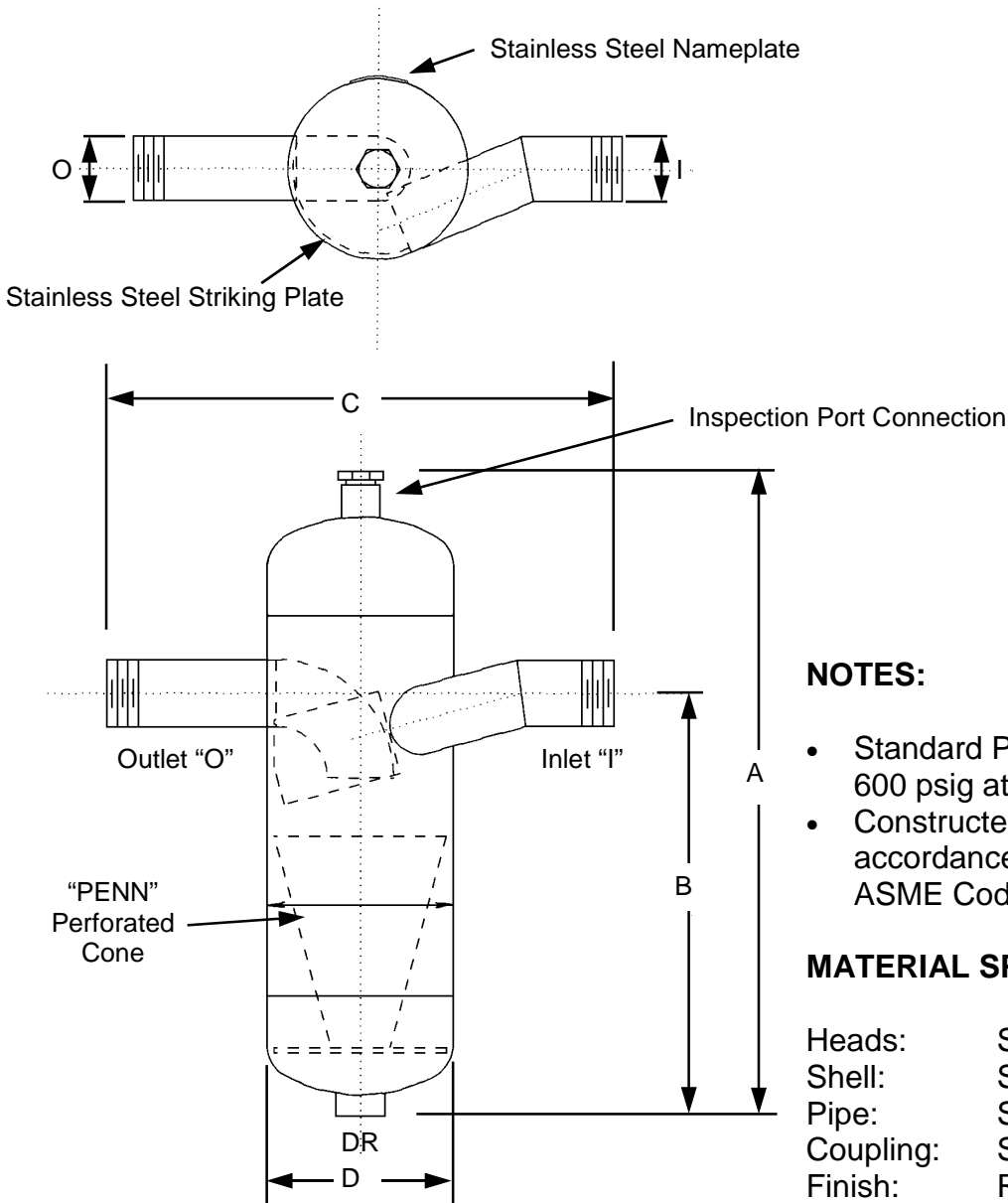


# SPECIFICATION PRINT

## Threaded T-Type Inline Separator



### NOTES:

- Standard Pressure Rating: 600 psig at 500°F
- Constructed and stamped in accordance with the latest ASME Code, Sec. VIII, Div. 1.

### MATERIAL SPECIFICATIONS:

Heads: SA234WPB  
 Shell: SA53-B, or SA106-B  
 Pipe: SA53-B, or SA106-B  
 Coupling: SA105  
 Finish: Red Shop Primer

### DIMENSIONS

MODEL NO.	A	B	C	D	I	O	DR
IS .75-3	11"	7-1/2"	12"	3"	3/4"	3/4"	3/4"
IS 1-4	15"	10"	14"	4"	1"	1"	3/4"
IS 1.25-5	17-1/2"	12-1/2"	15"	5"	1-1/4"	1-1/4"	3/4"
IS 1.5-6	21"	15"	15"	6"	1-1/2"	1-1/2"	3/4"
IS 2-6	21"	15"	18"	6"	2"	2"	1"



**Penn** Separator Corp.

PO Box 340, Brookville, PA 15825

**Threaded T-Type Inline Separator**

Rev. 04/02/13 MJG

A 47000-2