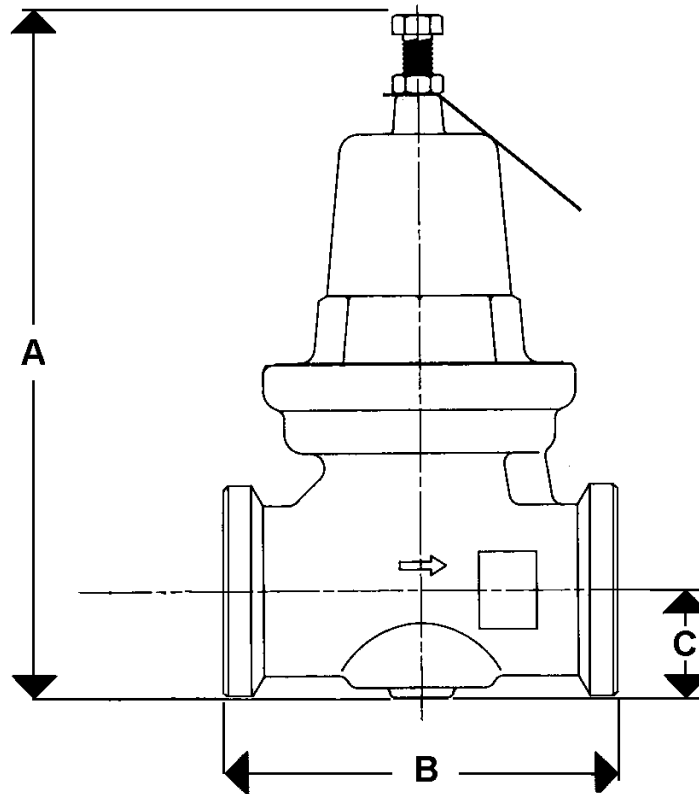


# SPECIFICATION PRINT

## Series 36 Pressure Reducing Valve



Size	Model	A	B	C	WT Each
1/2"	36-203	6-1/8"	3-11/16"	1"	3.11/lb
3/4"	36-204	6-1/8"	3-11/16"	1"	3.05/lb
1"	36-205	6-1/2"	4-1/16"	1-1/8"	4.15/lb
1-1/4"	36-206	8-5/8"	5-3/16"	1-3/8"	9.10/lb
1-1/2"	36-207	8-5/8"	5-5/16"	1-3/8"	9.09/lb
2"	36-208	11-3/4"	7-1/8"	1-13/16"	18.80/lb

### SPECIFICATIONS:

- Bronze body construction
- Sizes 1/2", 3/4", 1", 1-1/4", 1-1/2", 2"
- Adjustable pressure setting 25-75 PSI; Factory set at 50 PSI for pressures to 300 PSI
- Replaceable cartridge assembly
- Stainless steel strainer
- Female NPT connections
- Complies with ASSE 1003, ANSI A112.26.2, CSA B356 and IAPMO standards



**Penn** Separator Corp.

PO Box 340, Brookville, PA 15825

Series 36 Pressure Reducing Valve

MJG 7/18/12

A 26194-1