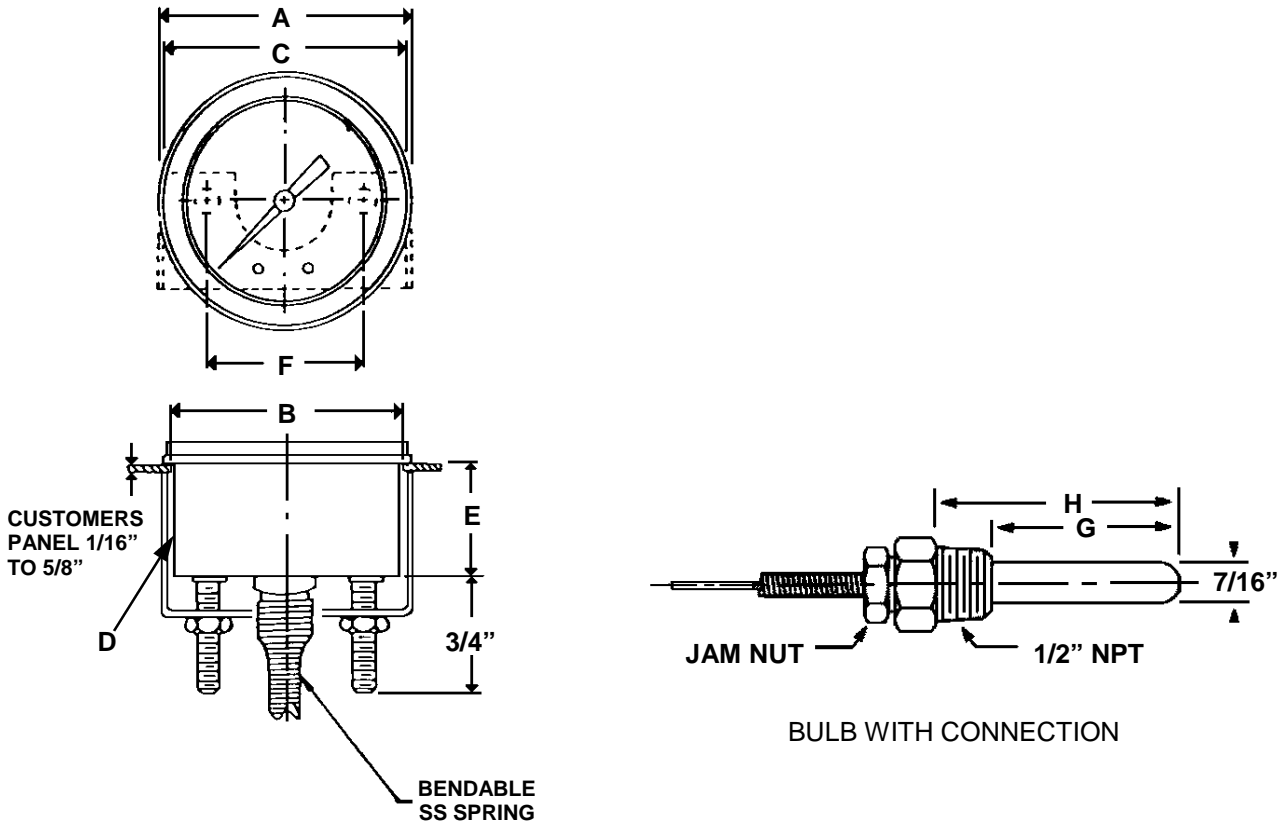


# SPECIFICATION PRINT

## Remote Thermometer



SIZE	A	B Panel Hole	C	D Diameter	E	F	G	H
2-1/2"	2-13/16"	2-39/64"	2-3/4"	2-9/16"	1"	2"	2-5/8"	3-3/8"

### SPECIFICATIONS

- Stainless steel case with white face
- Temperature Range: 40-240°F, 0-115°C
- 1/2" NPT Brass Union process connection
- Capillary length 6'
- Double braided copper capillary armor
- Case type: "U" Clamp
- Lexan snap in lens
- Copper bulb



PO Box 340, Brookville, PA 15825

Remote Thermometer

MJG 11/19/08 Rev. 3 A 25168-3